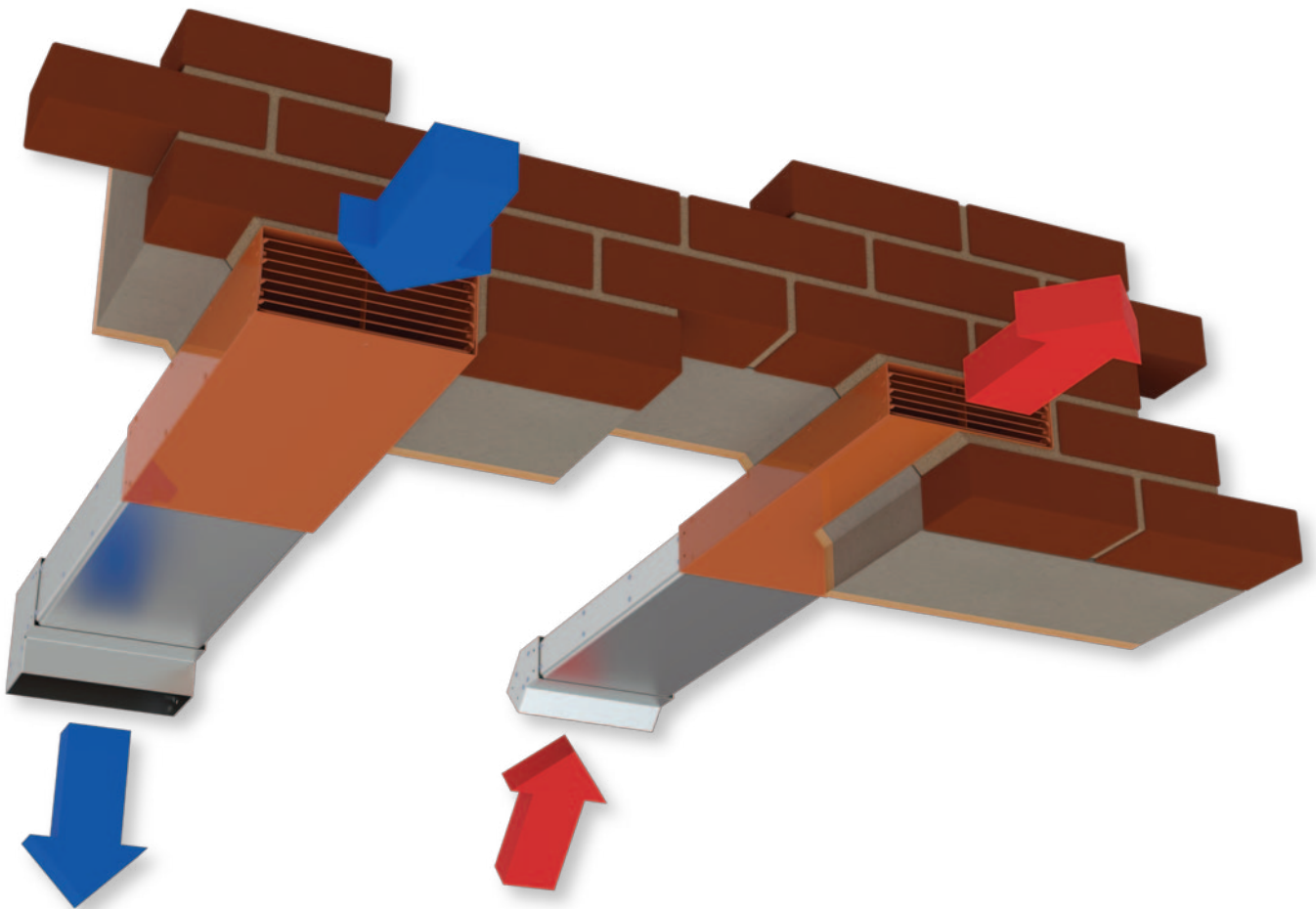


Fire Rated Air Bricks



High Performance,
Non-Combustible Terminals

Installation, Operating and Maintenance Instructions



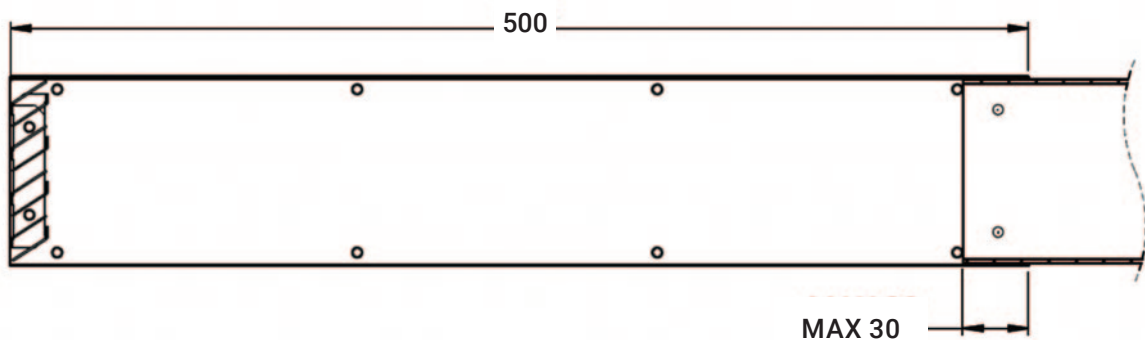
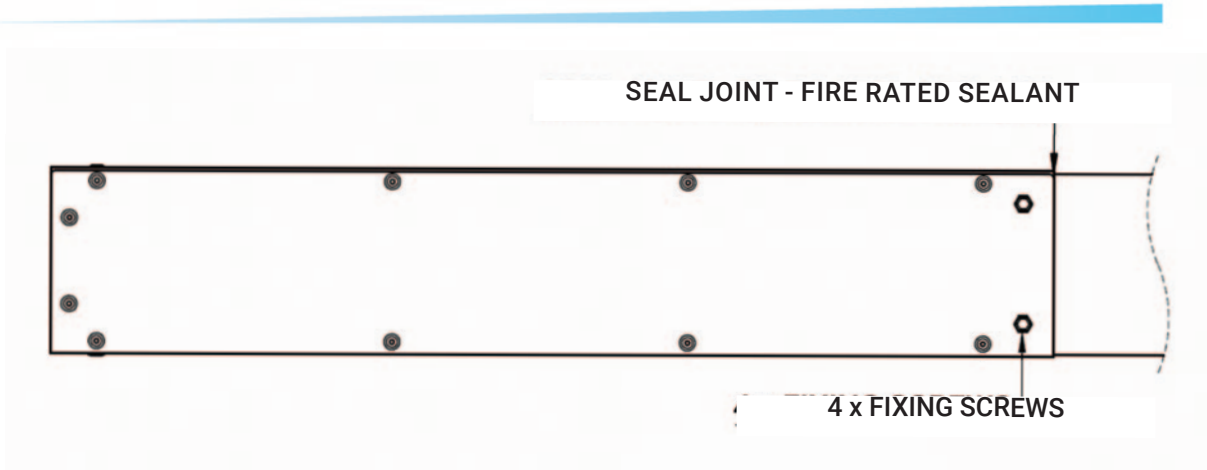
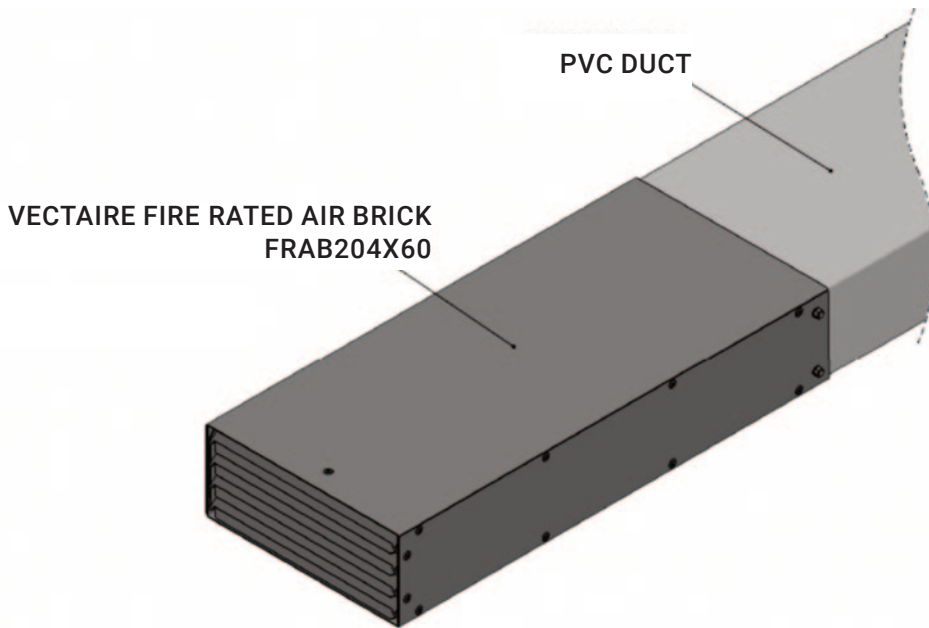
galvanised sheet steel
powder coated
to Classification A2-s1, d0
Registered Designs

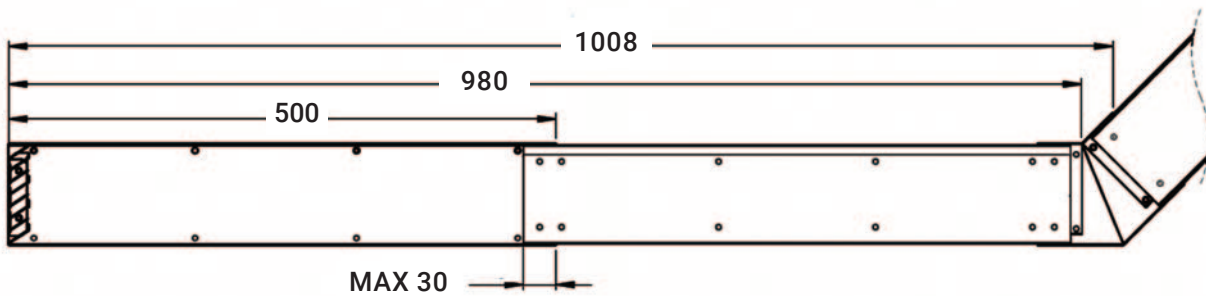
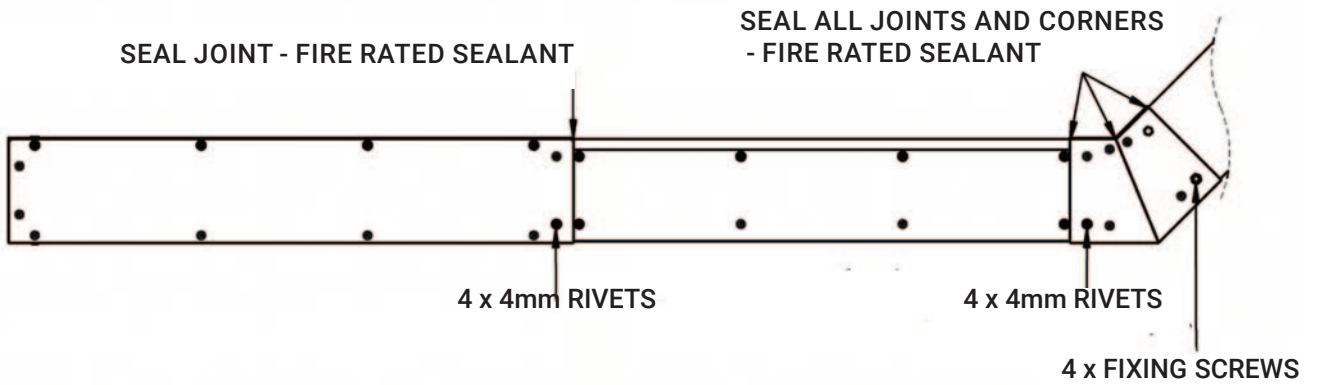
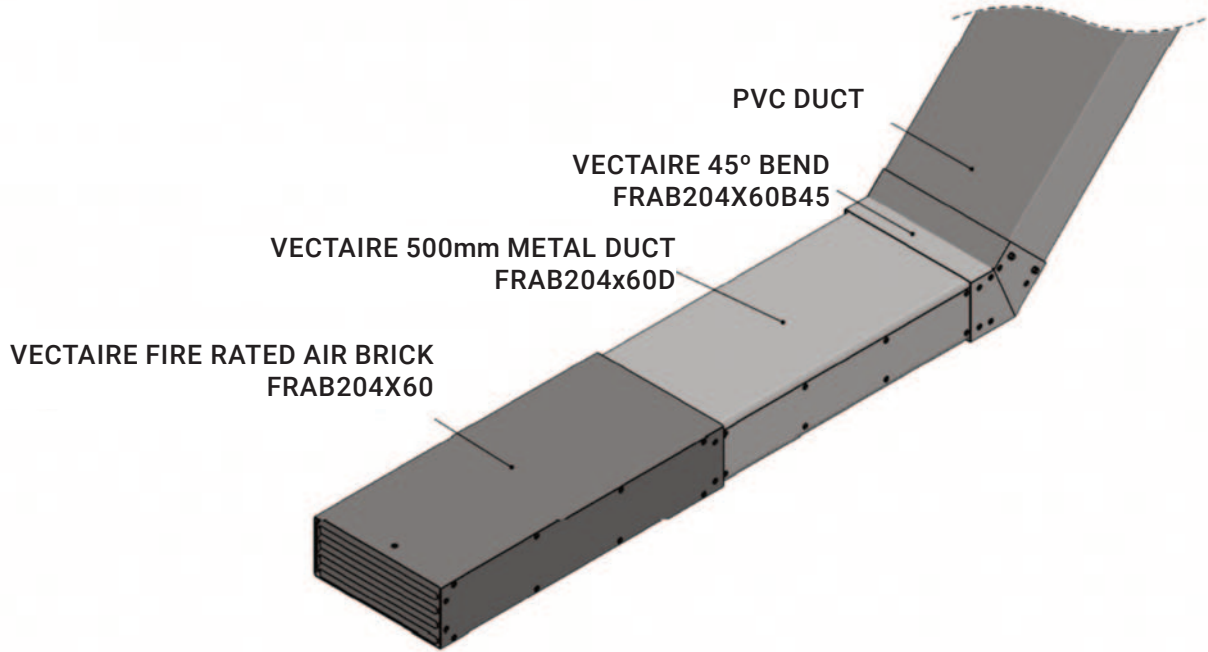


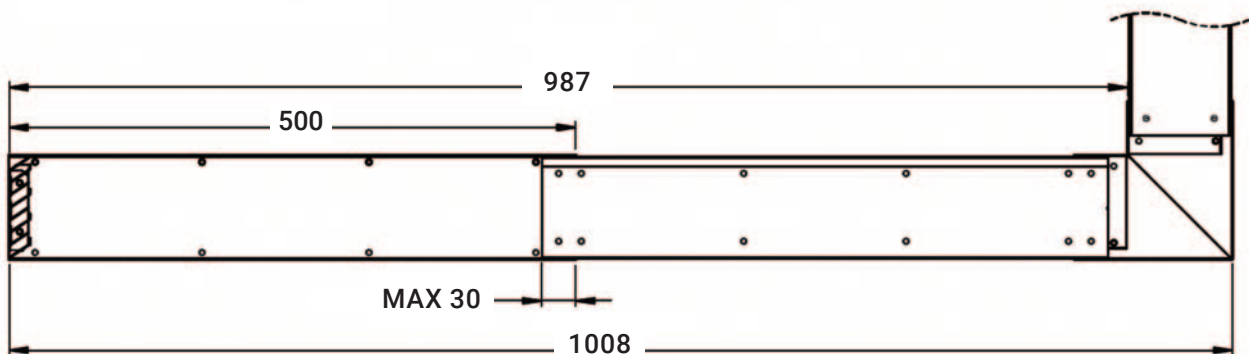
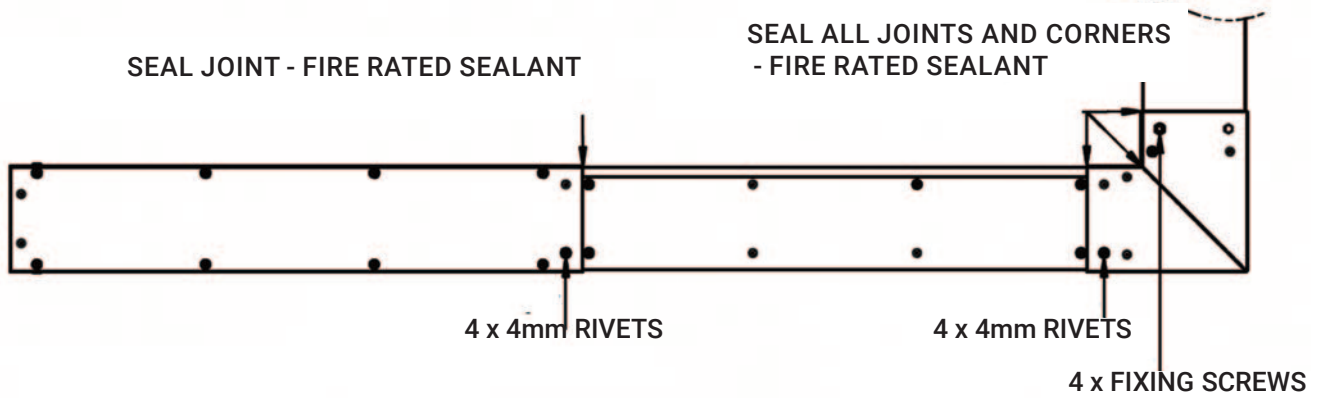
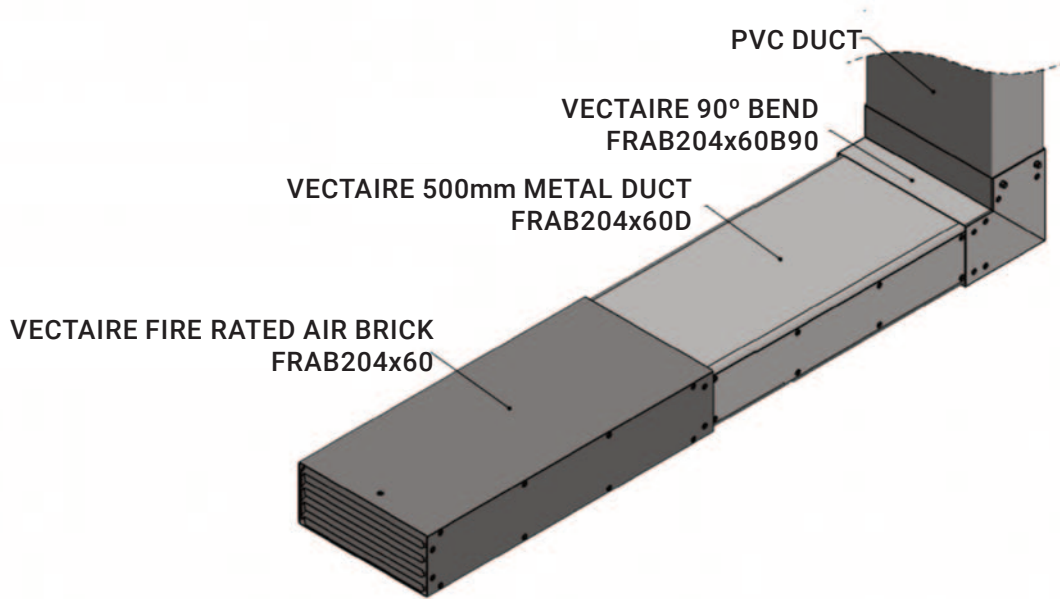
FIRE RATED AIR BRICKS

HIGH PERFORMANCE NON-COMBUSTIBLE TERMINALS DESIGNED FOR LOW RESISTANCE USE WITH POWERED MECHANICAL VENTILATION

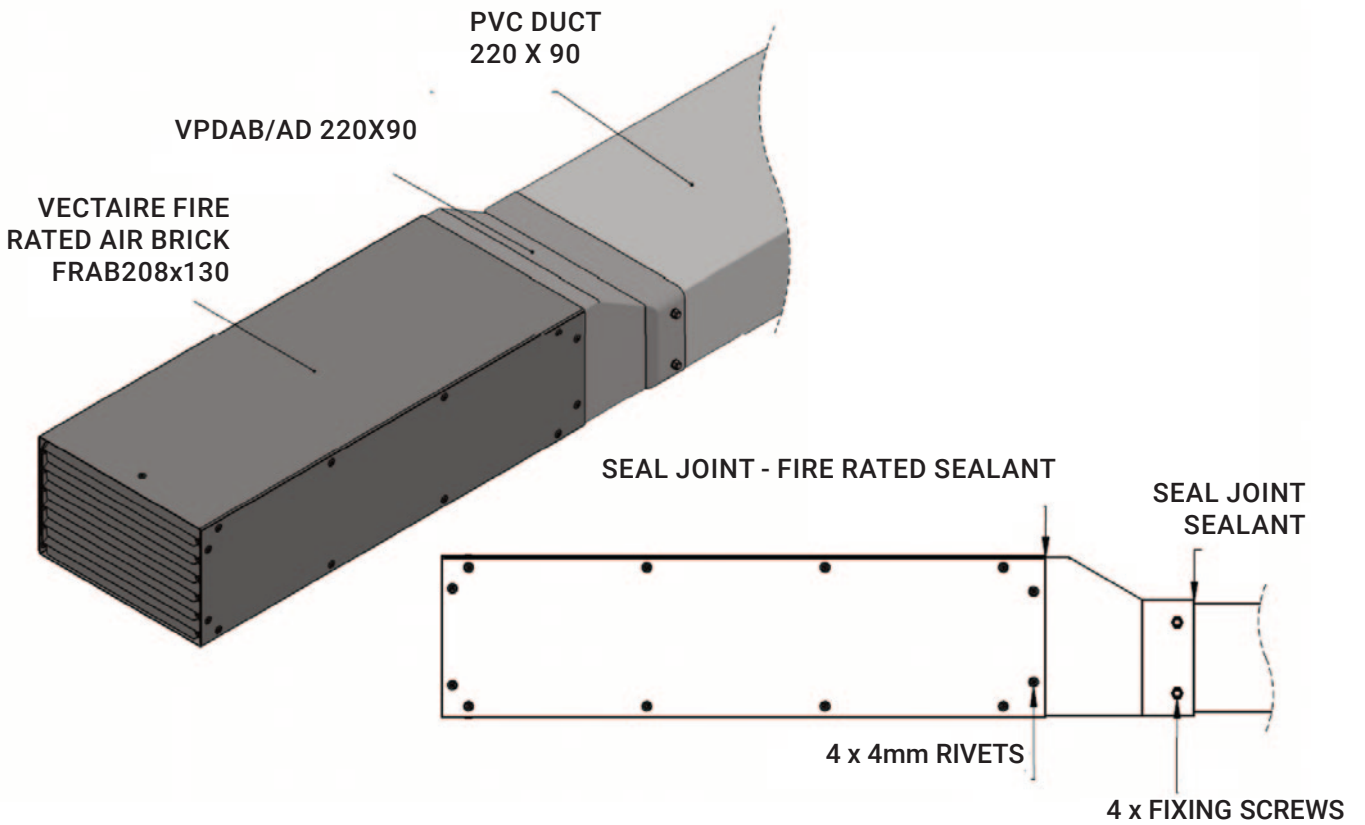
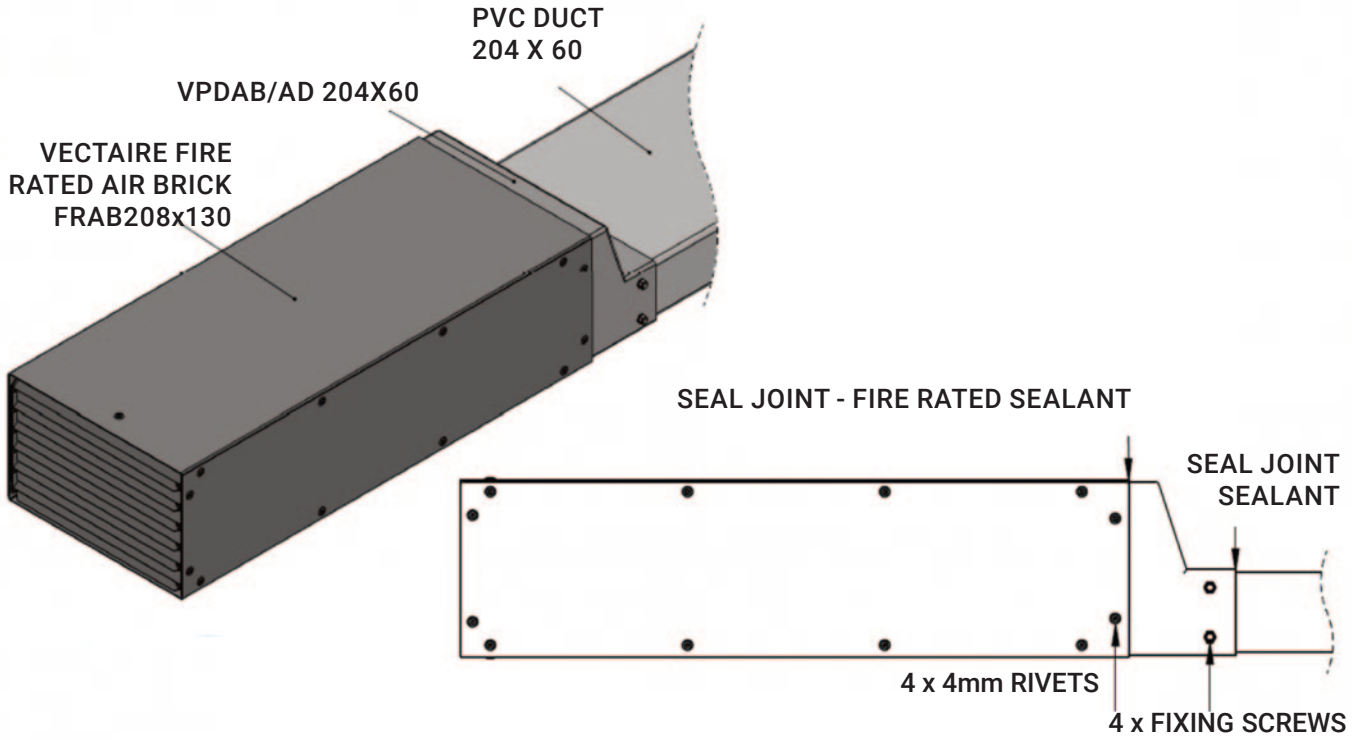
NON-COMBUSTIBLE AS SET OUT IN APPROVED DOCUMENT B (FIRE SAFETY) VOLUME 1: DWELLINGS, 2019 EDITION
MANUFACTURED FROM 0.9MM ELECTRO-GALVANISED SHEET STEEL, FIRE CLASS A1 "NO CONTRIBUTION TO FIRE"
POLYESTER POWDER COATING MEETING EN13501-1 CLASSIFICATION A2-S1,D0
PERFORMANCE TESTED TO BS EN13141-2-2010
RATED AND TESTED TO IPX3 AGAINST WATER INGRESS
CORROSION RESISTENT - SALT SPRAY TESTED TO ISO9227:2022, ASTM B117-19

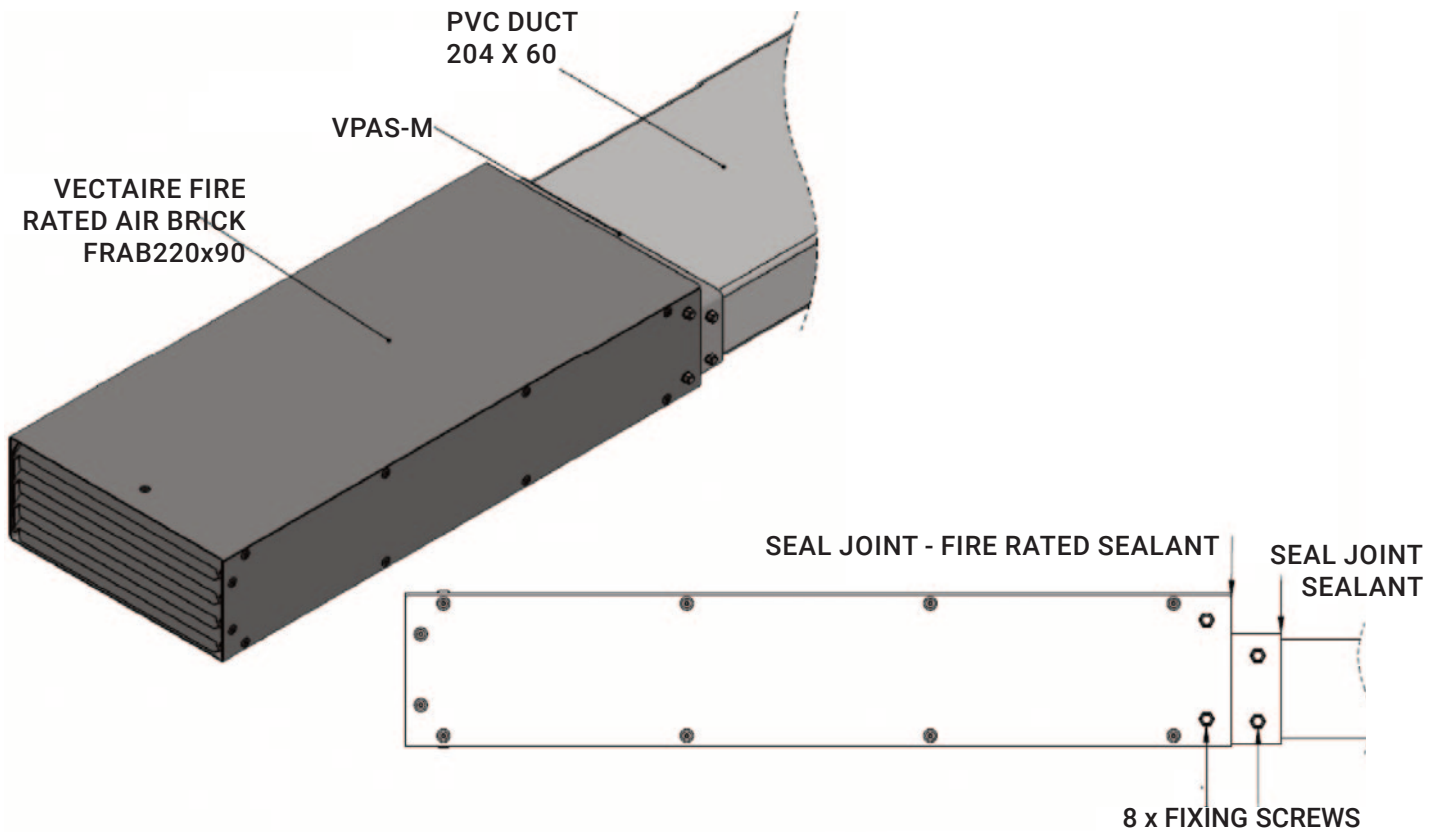






FIRE RATED AIR BRICKS





ADDITIONAL INFORMATION

Fire Rated Sealant - appropriately rated fire sealant that expands when subjected to temperatures above 120°C. Failure to do so could result in an improper seal and in the event of a fire the ducting will not react as intended.

Fixing Screws – 4.2mm stainless steel self drill screw. Alternatively, these can be riveted if adjoining ducting is prepared.